

PistenBully®

100

PistenBully 100

The multi-talent for cross-country, slope and indoor preparation



888-4-SKICAT

WWW.SKICATCOMPANY.COM

KIcat / WWW.SKICATCOMPANY



PistenBully®

Extensively proven and yet completely new

For years, the PistenBully 100 has been the reliable vehicle of choice whenever a versatile machine is needed for cross-country tracks, small slopes, or indoor use.

The fully redeveloped PistenBully 100 proves that our equipment continues to improve. We have thoughtfully taken customer requests into account throughout the development stages of this series. You can be sure that your daily grooming routine will be more productive and enjoyable with the new additions of innovative and intuitive features. Equally ground-breaking is the integrated interface to SNOWsat, the unparalleled system for cost-effective and economical snow and fleet management.

We hope that you enjoy discovering the new vehicle generation.



Jens Rottmair
CEO





PistonBully 100 A completely new vehicle generation

Per request, quality and reliability remain while the vehicle concept has been overhauled in close collaboration with international customers. Completely new: the intuitive control, which was developed based on the latest ergonomic insights, the most powerful engine in its class, the most eco-friendly exhaust treatment technology, the cockpit, the seat and a wealth of other practical innovations. Rejoice in the new addition to the PistonBully family.



NEW **The cockpit**
Greater freedom of movement
and practical comfort

- Improved sense of space
- Enhanced riding comfort
- Increased safety
- Practical details

Page 6/7

NEW **The Steering**
Simply intuitive and
just what you want

- Integrated operating concept
- Intuitive steering
- Individual button assignment
- iTerminal with large display

Page 8/9

NEW **The workstation**
Ergonomic and
individually adjustable

- New workstation concept
- Ergonomic working environment
- Individually adjustable

Page 10/11

NEW **The drive**
Most powerful engine in its class,
economical and efficient

- Most powerful engine in its class (186 kW / 253 hp)
- Most eco-friendly exhaust treatment technology
- Diesel particle filter is standard equipment, so ready even for indoor operations

Page 12/13



The cockpit

Greater freedom of movement and practical comfort

Anyone working outside at a ski resort in often adverse weather conditions needs a workstation that provides 100% support. We've worked closely with operators to find out what we could make better for everyday operation. With a new cab design and a multitude of big and small improvements, the PistenBully 100 delivers the cockpit that operators want, making their work easy and safe over many hours.

⊕ Improved sense of space

- Cab with more head and shoulder room
- New sitting position gives drivers greater freedom of movement

⊕ Enhanced riding comfort

- Ergonomic driver's seat with more lateral support, improved suspension, seat heating and individual adjustability
- Movable steering wheel with set position memory
- Innovative noise and heat insulation with sandwich structure
- Integrated air conditioning inside the cab (optional)

⊕ Increased safety

- ROPS-certified cab
- Larger front windshield for improved visibility of the blade
- Larger rear window for improved all-round visibility
- Working lights with LED light on the handrail for optimum illumination

⊕ Practical details

- Electrically adjustable exterior mirrors
- Dual sliding and heatable side windows, incl. in open position
- Additional mirror for direct view of the tracks



Horizontal mount mirror provides direct view of the tracks.



Dual sliding side windows, heated in any position, for optimum lateral visibility.



Larger and heated rear window for optimum visibility to the rear as well.



Electrically adjustable exterior mirrors.

The Steering

Simply intuitive and just what you want

The new design will make your work easier, thanks to the newly developed double-jointed joystick, which moves freely in all directions and transfers your hand movements directly to the blade. Lifting, lowering, changing cut angle, tilting and swivelling are now more intuitive and more precise.

Perfect control of all vehicle components comes from the patented iTerminal, which is now even clearer and easier to use thanks to touch-control and a new design.

⊕ Integrated operating concept

- New operating concept for all new vehicle models
- Identical arrangement of all control elements
- Fast orientation when you change from one vehicle to another.

⊕ Intuitive steering

- Intuitive joystick
- Double-joint function for four simultaneous movements
- Proportional steering of attachments with just one hand

⊕ Individual button assignment

- Freely programmable function buttons
- Customizable to driver's specific needs

⊕ iTerminal with large display

- Patented iTerminal with clear 10-inch display
- Simple control via touch function
- Color highlighting of all active vehicle components



Joystick with ergonomic and proportional control for intuitive working.



Armrest with convenient and individually programmable customer buttons.



Patented iTerminal with optimized user guide thanks to color labelling of the active areas of the vehicle.



The workstation

Ergonomic and individually adjustable

The air-sprung seat, the steering wheel and the armrest with the new joystick have now been combined into one unit, giving you improved control of your PistenBully. You can relax while you steer, even on bumpy rides across difficult terrain.

Additionally, the cockpit of the PistenBully 100 can be adapted to your body size and your needs better than ever before. It is perfect when you have to spend many hours working on the slopes or trails.

🔗 New workstation concept

- Newly developed integration of seat, steering wheel, armrest and joystick
- All elements can be adjusted for perfect alignment
- Secure handling in all driving situations

🔗 Ergonomic working environment

- Workstation redesigned in line with ergonomic guidelines
- Health factors taken into account
- For fatigue-free and comfortable working

🔗 Individually adjustable

- Individual adjustments for a customized working environment
- Workstation can be tailored precisely to the driver's body size and arm length
- All elements are independently adjustable



New ergonomic seat with improved lateral support, a wealth of adjustment options and seat heating.



Driver's seat with air-sprung heavy-duty seat frame for healthier working and improved ride comfort.



Optimized control even on uneven terrain thanks to the control unit integrated in the seat.

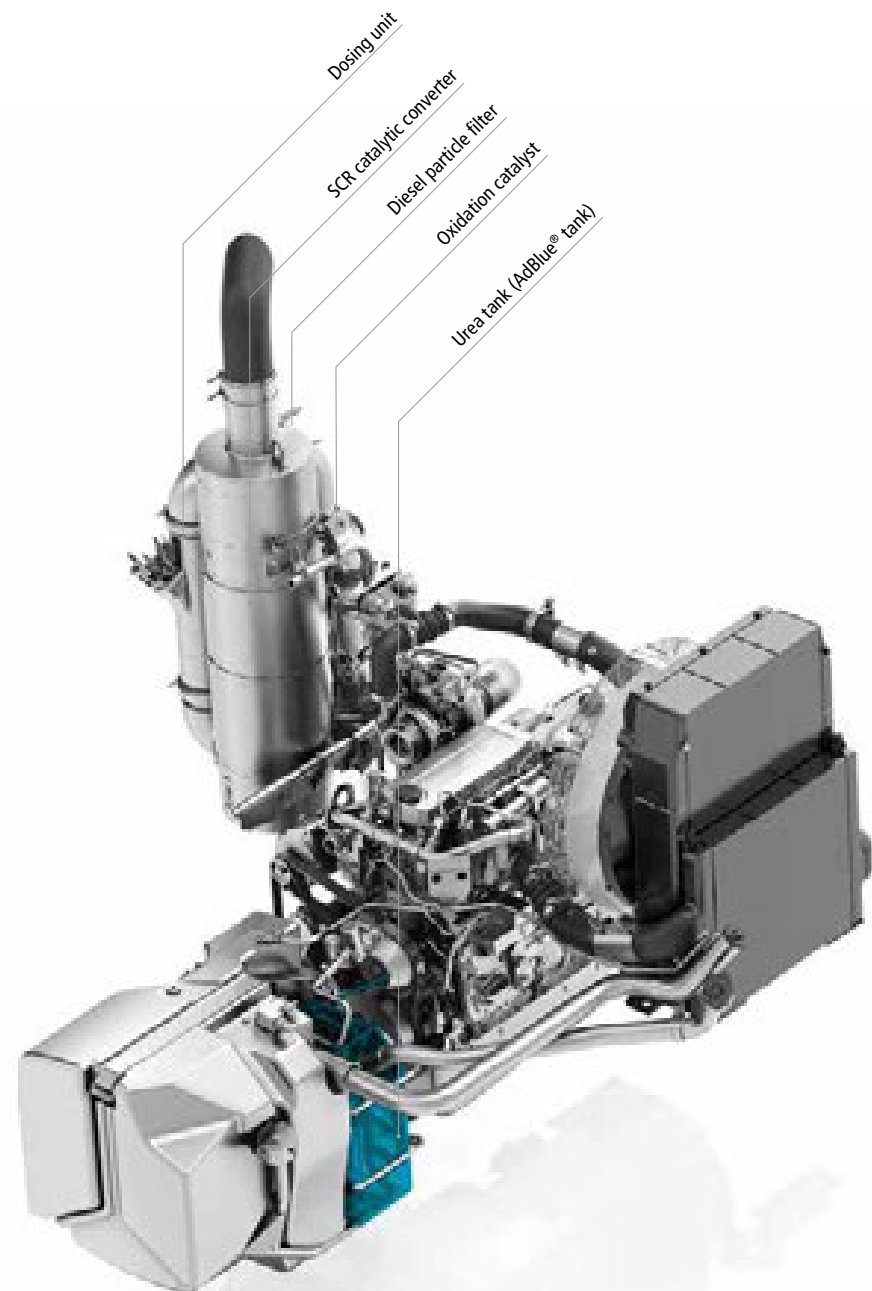


NEW The vehicle comes with all interfaces for SNOWsat fully integrated as standard. The optional display screen opens up the world of economical and eco-friendly snow and fleet management for you.

With SNOWsat you get the maximum from your fleet. The fleet management improves coordination and control of all vehicles and optimizes workflows. At the same time, the detailed analyses help you to save fuel and reduce operating times. It increases safety for snow grooming and supports needs-oriented production of machine-made snow.

Additionally: SNOWsat can also be retrofitted in all of the other vehicles in your fleet – regardless the brand.





Completely unrivalled

Diesel particle filter technology is standard, so the PistenBully 100 meets Euro stage V emissions requirements. This reduces pollutant emissions so much that it can even meet the strict requirements for indoor work. Making it even cleaner and more flexible in terms of potential use.

The drive

Most powerful engine in its class, economical and efficient

More powerful than ever. With twenty percent more thrust, the PistenBully 100 is now more agile and more powerful. It can handle new challenges and is more flexible – just as a multi-talent should be.

⚙️ **Most powerful engine in its class**

- Powerful 6-cylinder engine with 186 kW / 253 hp
- Powerful torque of 990 Nm at 1,500 rpm
- Less fuel consumption due to reduced engine revs
- Low vibration and much quieter
- Reduced supply pressure for optimum cold start

⚙️ **The most eco-friendly exhaust treatment technology**

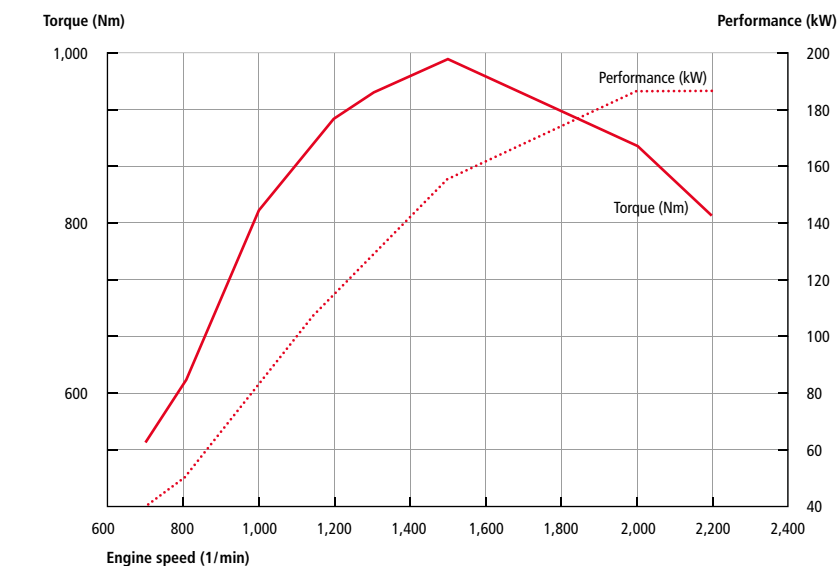
- Lowest-emissions engine, compliant with the Euro stage V requirements, Tier 4 final
- Level display for the AdBlue® tank

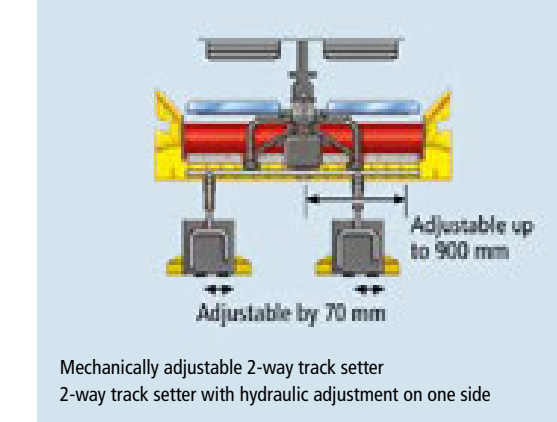
⚙️ **Ready for indoor work**

- Fitted with diesel particle filter as standard
- Suitable for grooming in ski domes

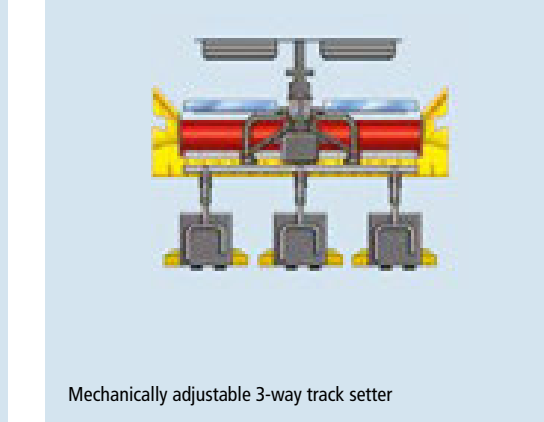
Technical data

Type	Cummins QSB 6.7
Number of cylinders	6
Displacement	6.70 l / 6,700 ccm
Power output (ECE)	186 kW / 253 hp
Emission standard	EU Stage V, Tier 4f
Max. torque	990 Nm / 1,500 rpm
Tank capacity	155 l
Tank capacity DEF (AdBlue®)	19 l
Fuel consumption	from 8.5 l/h

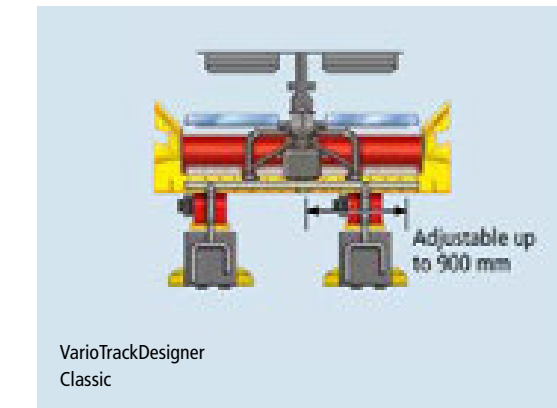




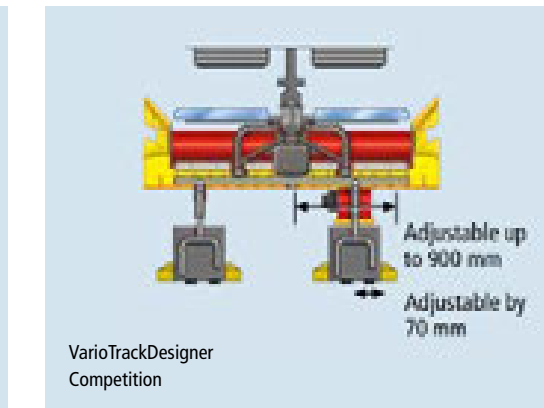
Mechanically adjustable 2-way track setter
2-way track setter with hydraulic adjustment on one side



Mechanically adjustable 3-way track setter



VarioTrackDesigner
Classic



VarioTrackDesigner
Competition

The multi-talent tiller Highly flexible and more bite than ever!

Greater efficiency

- New tiller with more teeth for improved snow surface
- More efficient passes thanks to a broader tiller shaft and larger working width

Perfect slope surface with the new finisher support

- Enlarged snow passage
- Extended finishers for longer snow-processing time
- Snow flap for ideal adaptation to prevailing conditions, fresh snow or hard snow

Broader scope of use

- Three different working widths for every kind of grooming (3.2 / 3.5 / 3.8 meters)
- 2.50-m-wide tiller also available for narrow bridges and tight lanes
- For alpine use the hydraulic folding side finisher extend the working width to almost 5 meters (optional)

More possibilities

- Tiller depth and the contact pressure of the tiller and track setters can be adjusted independently of each other
- All tiller widths are available with hydraulic folding side finishers (optional)

PistenBully track setters More functional, more adjustable

Simple operation

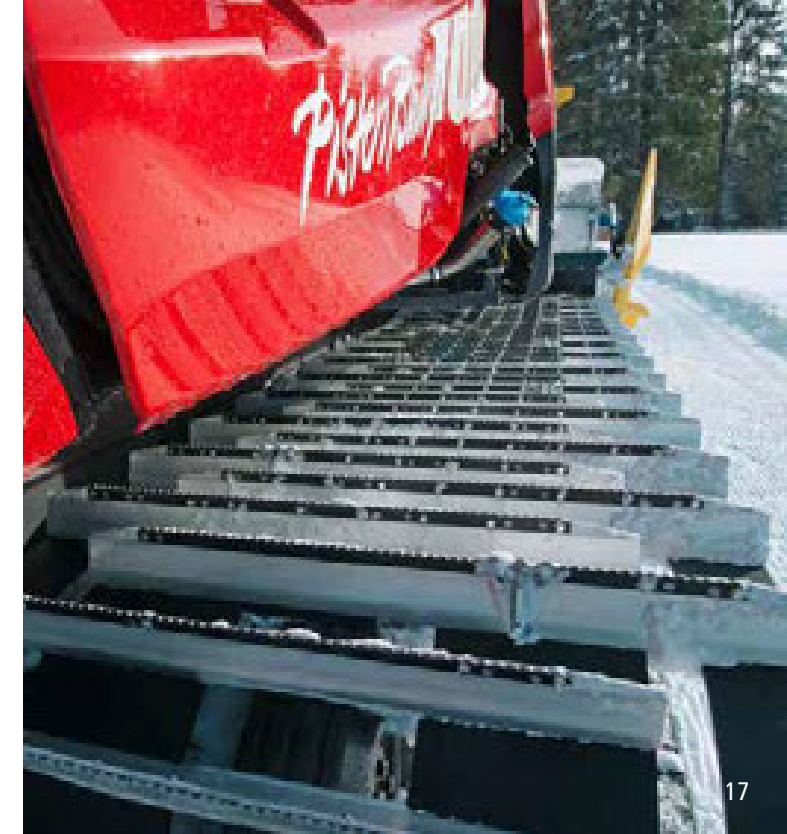
- Equipment rail for simple removal of the track setters
- When not in use the track tiller (VarioTrackDesigner), can be removed without tools

Precise trail grooming

- Improved terrain conformance thanks to deeper track setters
- More efficient work thanks to newly designed tapered former

Well-thought out feature

- Transparent fenders for clear view of the tiller



All-Way-Blade

High-volume and sensitive on cross-country trails, slopes and in the park

⊕ Newly developed blade for efficient working

- Taller snow guard for greater snow volumes
- Synchronized control of side wings. Reinforced bearings.
- Tiller and blade can be operated simultaneously using the joystick
- Extended working widths of 2.80 and 3.20 metres
- Reinforcing plates for greater stability

⊕ There are now 4 blade options

- Nordic version: 2.80 or 3.20 metres with welded guide rail for optimum track-setting
- Alpine version: 2.80 or 3.20 metres without welded guide rail and, thus, ideal for shifting snow

⊕ Longer, better, deeper: the new QCS

- Longer quick-change system (QCS) pushframe for improved visibility of the All-Way-Blade
- New lift cylinder for greater range of movement from the QCS

⊕ Can also be used as park version

- Special quick-change system for use in parks
- Back blading feature for perfect grooming of feature finishes
- Two lift cylinders for even greater freedom of movement

Chassis and tracks

More stable and lower maintenance than ever before

⊕ Strong and comfortable chassis

- New semi-axle technology offers higher payloads
- Improved service accessibility thanks to semi-axes and removable side plates
- New grid frame for more stability and load capacity
- Best gradability thanks to 4 running axles
- Greater ride comfort thanks to improved, softer suspension
- New comfortable driver's cab mounting

⊕ Tracks, perfection in every detail

- Automatic track tensioning for lower wear and tear
- Protectors on the running wheels prevent the valves breaking due to hard sheets of ice
- Combi tracks, steel track and X-Track available
- 68 studs for a longer contact length of the vehicle
- Sprocket with 13 teeth for improved ride comfort of the tracks



PistenBully 100 Park

The smallest and most agile snow groomer in fun park construction

Skiers and snowboarders enjoy a special experience in fun parks away from the normal slopes. With the PistenBully 100 Park Kässbohrer presents a small, extremely agile and powerful vehicle, which takes into account the new concept of fun slopes for the whole family. Its special features make it a powerful all-rounder, which is setting completely new standards in park building.

Flexible control

You can steer the PistenBully 100 Park with either a stick control or a semi-circular steering wheel. The ergonomically shaped and intuitively controlled joystick has four main functions that can be utilised simultaneously. It allows perfect control and makes the PistenBully 100 Park highly versatile: lifting and lowering, swivelling, angling, tilting with the highest precision. Efficient and creative shaping and reshaping of banks and structures become child's play.

Increased action radius

Combined with a new, longer push frame, the All-Way-Blade of the PistenBully 100 Park gives the shaper a working radius of 131°. The front push frame also has kinematics specifically designed for park building. With regard to the tried-and-tested snow tiller, the tiller shaft can be switched on in any position as needed. This facilitates – even when grooming steep jumps – extremely precise work.



Extreme agility of the front and rear attachments for perfect shaping and reshaping.



The maximum flexibility of the All-Way-Blade facilitates precise shaping of particular designs.



Equipment PistenBully 100

Standard



Individually adjustable steering wheel

The steering wheel can also be adjusted individually by the driver. The steering wheel folds away to increase space when you get out, it then springs back into its original saved position.



Standard seat

Air-sprung with heavy-duty seat frame, ergonomic design for improved lateral support, multiple headrest positions, heated seat, lap belt, mechanically adjustable: 3-stage seat tilt, length-adjustable seat cushion and 4-stage lumbar support.



Diesel particle filter

Fitting with the diesel particle filter extends the range of use of the PistenBully 100: in addition to grooming of cross-country tracks and slopes, it is also right at home indoors.



LED working lights

The new LED working lights on the handrails front and rear ensure optimum illumination of the working area.



Heated side windows in any position

The side windows are dual sliding and heatable in any position for optimum visibility – even when open.

Other standard equipment

- Reduced charge pressure for optimum cold start
- Heated Rear Window
- DAB+ radio with hands-free set-up, Bluetooth and USB port
- USB port in armrest

Optional



Technical package

The PistenBully can be supplemented with other hydraulically operated attachments, such as the front snowblower, using an additional high-pressure circuit on the front of the vehicle.



Fixed running wheels

Solid wheels are available as an alternative to the pneumatic running wheels.



LED light package

The extensive LED light package with powerful working lights ensures perfect illumination of working areas.



SNOWsat

The professional snow and fleet management system with snow depth measurement delivers economical slope operations thanks to precise data capture, detailed evaluations and a multitude of diagnostic tools.



Comfort Seat

Same features as the standard seat plus the following: multi-stage seat heating, 3-point safety belt, active ventilation in the seat cushions and rear section, pneumatically adjustable: central mound for improved support, lateral / back bolsters and lumbar support.



Cabins for 5 or 8 people

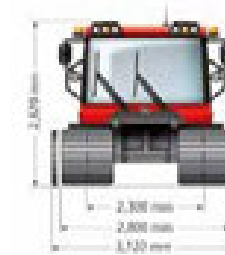
You won't find this from any other snow groomer in this class: the option of adding a cabin for passenger transport of max. 740 kg with folding seats.

Other options

- Auxiliary heating
- Rear view camera
- Central locking
- Rear lift frame with vibration damping when lifting / lowering
- Implement carrier with side damping for swing
- Air conditioning (new: now inside the vehicle, rather than roof installation)
- Hydraulically folding side finishers on the tiller
- Spotlight
- Harness seat belt
- Biodegradable, fully synthetic oil
- Hydraulic oil preheating
- Brush guard
- Stick steering

Technical data

PistenBully 100



Engine	
Type	Cummins QSB 6.7
Number of cylinders	6
Displacement	6.701 / 6,700 ccm
Power output (ECE)	186 kW / 253 hp
Emission standard	EU Stage V, Tier 4f
Max. torque	990 Nm / 1,500 rpm
Tank capacity	155 l
Tank capacity DEF (AdBlue®)	19 l
Fuel consumption	from 8.5 l/h
Drive pump	105 ccm
Traction drive	80 ccm
Tiller drive pump	71 ccm
Tiller drive	90 ccm

Driving characteristics	
Speed	0 – 25 km/h, infinitely variable
Turning radius	on the spot

Electrical	
Low-Voltage System	24V
Alternator	28V / 120A
Batteries	2 x 12V / 100Ah
Cold start rating	680A

Lightning	
Front	4 halogen headlights, 2 LED working lights on the handrail 2 LED rotating beacons
Rear	2 LED working lights

Cab	
Driver's seat	adjustable, air-sprung
Operating elements	switches, iTerminal
Windows	heated front and rear windows, sliding side windows, heated
Rear mirrors	heated, elec. adjustable, wide-angle
Wipers	coolant-heated, heating electrically controlled

Weight		
Tare weight*	with Combi tracks	from 5,000 kg
	with X-Track	from 4,760 kg
Permissible gross weight		7,500 kg
Payload on platform		1,500 kg

*In acc. with ISO 1176/M6, net weights may vary depending on equipment.

Dimensions		
Width	without tracks	2,300 mm
	over Combi tracks / steel tracks	2,480 mm / 2,800 mm / 3,120 mm
	over X-Track	2,510 mm / 2,800 mm
	over snow tiller (transport width)	3,310 mm / 3,640 mm / 3,930 mm
	over snow tiller with folding side finishers up to	4,200 mm / 4,550 mm / 4,850 mm
Blade	width open	3,391 mm / 3,791 mm
	width wide	2,820 mm / 3,220 mm
	Height	803 mm
Height	with tracks (depending on additional options)	2,620 mm to 2,740 mm
	when driver's cab tilted	3,140 mm
Ground clearance		320 mm
Length	with blade, tiller and track setter	8,930 mm
Load area	Length	1,620 mm
	Width	1,920 mm
Recommended garage dimensions	Length (track setters folded up)	8,000 mm
	Width	4,900 mm
	Height	3,200 mm



PistenBully Service We are here. Always.

Day after day, we are working to make PistenBully even better. That applies to service too: we deliver spare parts as quickly as possible to every part of the globe. 365 days a year, 24 hours a day. We want to convince with our individual services, inspiring customers to go for the whole package.

- Over 25,000 original spare parts in stock
- All spare parts of OEM quality
- Tested safety and high reliability
- Evaluation of telemetry data
- Service hotline: 24 hours a day, 7 days a week
- Express delivery across Europe: overnight. Worldwide: max. 3 days
- Expert advice on spare parts
- Digital and up-to-date spare parts catalogue incl. order function
- Spare parts for machines up to 15 years after series discontinued
- Comprehensive advice and training concept
- Advice on economical and eco-friendly use of your fleet
- Technical training for fast maintenance right in the ski resort
- External customer support – from the North Pole to the Antarctic

Global and yet very close

To this end, we now have over 130 service stations and agencies around the world. This means we are always on hand for our customers. We meet the challenges and are continually working to improve our products and services. Because we know: smooth, cost-effective operations are the top priority.

You'll find more information on our service concept at:
www.pistenbully.com/service

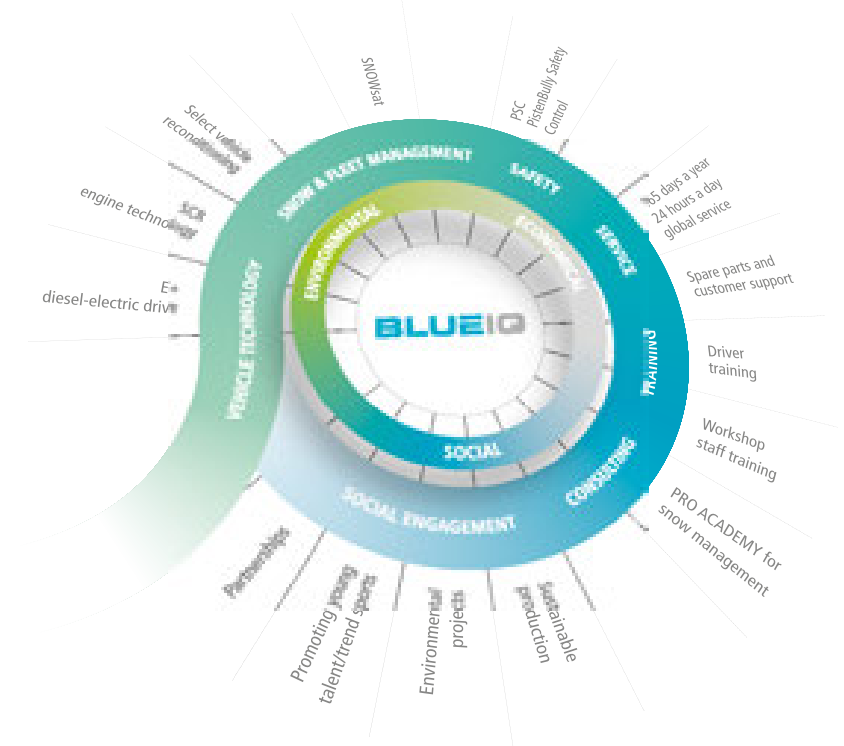


PistenBully. For the snow of tomorrow.

Quality, reliability and partnership, always

A company can only improve with genuine passion and a strong team. A passion for engines, machines and technology is inextricably linked to the Kässbohrer business. Our success essentially rests on these foundations: close cooperation with our customers, simple and fast solutions and a qualified and committed team.

A PistenBully is and remains something special. It encompasses new ideas, technologies and improvements that make it an efficient partner on the slopes. You can rely on the quality of our products made in Germany. And on the fact that sustainability and a responsible approach to people, the environment and resources are an integral part of our philosophy.



BLUE IQ – responsibility for people and the environment

With our BLUE IQ corporate strategy we are working actively with our customers to shape the future. As the global market leader we are convinced that technical innovations must be incorporated into integrated concepts. That's why we take the economic, ecological and social aspects into account in addition to technical factors. The result is a well-thought-out and coordinated portfolio. For more customer benefits, greater cost-effectiveness and a better environment.



A responsible future

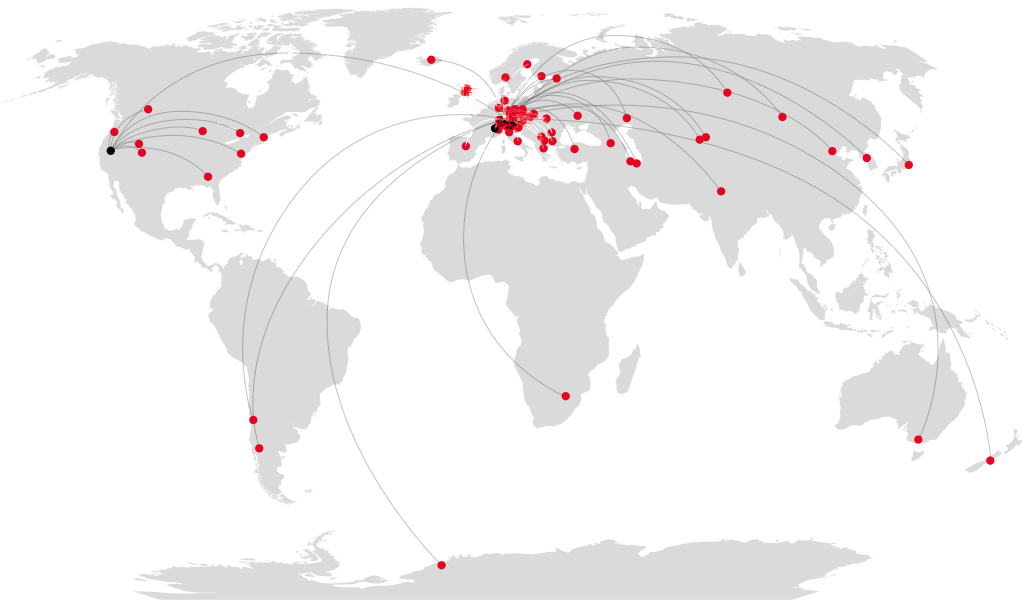


SEASONAL AND MONTHLY RENTAL



888-4-SKICAT

WWW.SKICATCOMPANY.COM



The global PistenBully network

Kässbohrer Geländefahrzeug AG

Kässbohrerstraße 11
88471 Laupheim
Telephone +49 (0)7392 900-0
Telefax +49 (0)7392 900-445
info@pistenbully.com
www.pistenbully.com

Italian subsidiary

Kässbohrer Italia S.r.l.
Via Galileo Galilei, 32
39100 Bolzano
Telephone +39 0471 93-3027
Telefax +39 0471 93-2975
info@pistenbully.it
www.pistenbully.it

Austrian subsidiary

Kässbohrer Austria GmbH
Garnei 173
5431 Kuchl
Telephone +43 (0)6244 4001-0
Telefax +43 (0)6244 4001-11
office@pistenbully.at
www.pistenbully.at

French subsidiary

Kässbohrer E.S.E.
455 Route de Marais
ZAC Porte de Tarentaise
73790 Tours-en-Savoie
Telephone +33 (0)479 1046-10
Telefax +33 (0)479 1046-40
info@pistenbully.fr
www.pistenbully.fr

Swiss subsidiary

Kässbohrer Schweiz AG
Bruneggerstraße 45
5103 Möriken
Telephone +41 (0)62 88770-50
Telefax +41 (0)62 88770-51
info@pistenbully.ch
www.pistenbully.ch

American subsidiary

Kässbohrer All Terrain Vehicles Inc.
8850 Double Diamond Parkway
89521 Reno, Nevada
Telephone +1 (0)775 857-5000
Telefax +1 (0)775 857-5010
contact@pistenbullyusa.com
www.pistenbullyusa.com



About the details in this catalogue: Changes may have been made to the product after the time of this brochure going to press. The images also contain accessories and special equipment that are not supplied as standard. Slight variations in colour may occur as a result of the printing process. Any statements regarding the statutory, legal and tax regulations and their effects are only valid for the Federal Republic of Germany. For the definitive latest version, please ask your contact at Kässbohrer Geländefahrzeug AG. Printed in Germany on chlorine-free bleached paper.



PistenBully and SNOWsat are registered trademarks of Kässbohrer Geländefahrzeug AG.



KÄSSBOHRER GELÄNDEFahrZEUG AG

